

Global Packaging



# FISH & SEAFOOD

Packaging Solutions



# Fish and Seafood

## Specialists in Fish and Seafood

These sectors demand flexible packaging solutions that guarantee products are marketed in a presentation that is appropriate for traditional products, in attractive and leak proof packages, requiring excellent presentation with focus on product shelf-life extension.

ULMA is aware that the success of its clients depends on the quality of their products, and therefore on the packaging. For this reason, thanks to more than 50 years experience developing packaging equipment designed for these sectors, ULMA can ensure top quality, individual solutions for your product packaging requirements.

## Global Offer

ULMA offers the widest range of fish and seafood packaging solutions on the market.

Complete fully automated solutions from the handling and loading of the product, to the final crate packing and palletizing, inspection systems and five different packaging technologies: Thermoforming, Traysealing, Horizontal Flow Pack (HFFS), Vertical Flow Pack (VFFS) and Shrink.

This varied offer is complemented by a whole series of ancillary systems specially targeted for the fishing industry.



# Fresh fish

Packaging solutions designed for fresh fish in packs designed to extend the shelf-life of the product. The packaging is achieved by using automatic horizontal flow wrapping (HFFS) and traysealing machines or thermoformers that make packages from two plastic film reels. There are different types of solutions depending on the level of hermetic seal required, production capacities, shelf-life and required presentation.



TS



TS



FP - BDF®



TF



# Fresh fish

Packaging solutions designed for fresh fish mainly in tray, designed to extend the shelf-life of the product. The packaging is achieved by using automatic horizontal flow wrapping (HFFS) and traysealing machines. There are different types of solutions depending on the level of hermetic seal required, production capacities, shelf-life and required presentation.

FP - BDF®



TS - SKIN



*Skin packages where the film follows the shape of the product enhancing its aspect and shelf-life.*

*Barrier films that retain the protective atmosphere and shrink wrap around the tray.*



FLOW PACK



FP - BDF®



# Frozen fish and seafood

Packaging solutions designed for frozen fish and seafood designed to protect and extend the shelf-life of the product all through the cold chain. The packaging is achieved by using automatic horizontal (HFFS) or vertical flow wrappers (VFFS) and thermoformers. From pouches with or without vacuum to shrink packs where the film fully adapts to the shape and dimensions of the product.



VERTICAL



TF-SKIN



TF



FLOW PACK





# Frozen seafood

Packaging solutions designed for frozen seafood designed to protect and extend the shelf-life of the product all through the cold chain. The packaging is achieved by using automatic horizontal or vertical machines (VFFS). There are different types of solutions depending on the production capacities and required presentation. Pouches, thermoformed packs made from two plastic reels or shrink wrapping that adapts to carton boxes.

TF



TF - SKIN



FLOW PACK



VERTICAL



# Frozen seafood

Packaging solutions designed for frozen seafood designed to protect and extend the shelf-life of the product all through the cold chain. The packaging is achieved by using automatic horizontal machines. There are different types of solutions depending on the production capacities and required presentation. From vacuum packing to automatic traysealers that preserve the quality of the product.

TF



TS



FLOW PACK





# Processed fish

Packaging solutions designed for processed fish to extend the shelf-life of the product. The packaging is achieved by using automatic horizontal machines with diverse choices for the same packaging technology.

TS



TF



*Wide range of packaging technologies for the same product in different formats*

FLOW PACK





# Processed fish

Packaging solutions designed for processed fish designed to extend the shelf-life of the product. The packaging is achieved by using thermoforms that make the package from two plastic film reels or traysealers. There are different types of solutions depending on the production capacities and required presentation. From vacuum thermoformed packs, MAP, skin or traysealed slice-packs.



*Skin packing to enhance the aspect of the product preserving its conservation.*



TF

TS

TF

# Processed fish and seafood

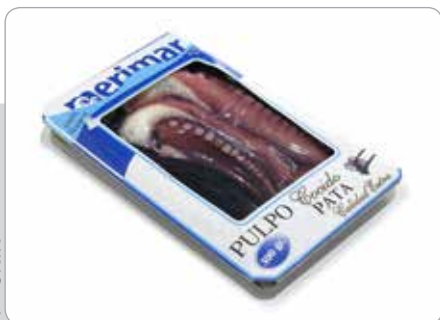
Packaging solutions designed for processed fish and seafood designed to extend the shelf-life of the product. The packaging is achieved by using thermoforms that make the package from two plastic film reels. There are different types of solutions depending on the production capacities and required presentation. From vacuum packs, MAP or skin packing that enhances the aspect and shelf-life reaches its maximum values.



TF



TS



TF - SKIN



# Processed fish and seafood

Packaging solutions designed for processed fish designed to extend the shelf-life of the product. The packaging is achieved by using traysealers or vertical flow wrappers (VFFS) that make pouches.



VERTICAL



FLOW PACK



TS

# Automation of packaging lines

## ULMA Packaging Automation

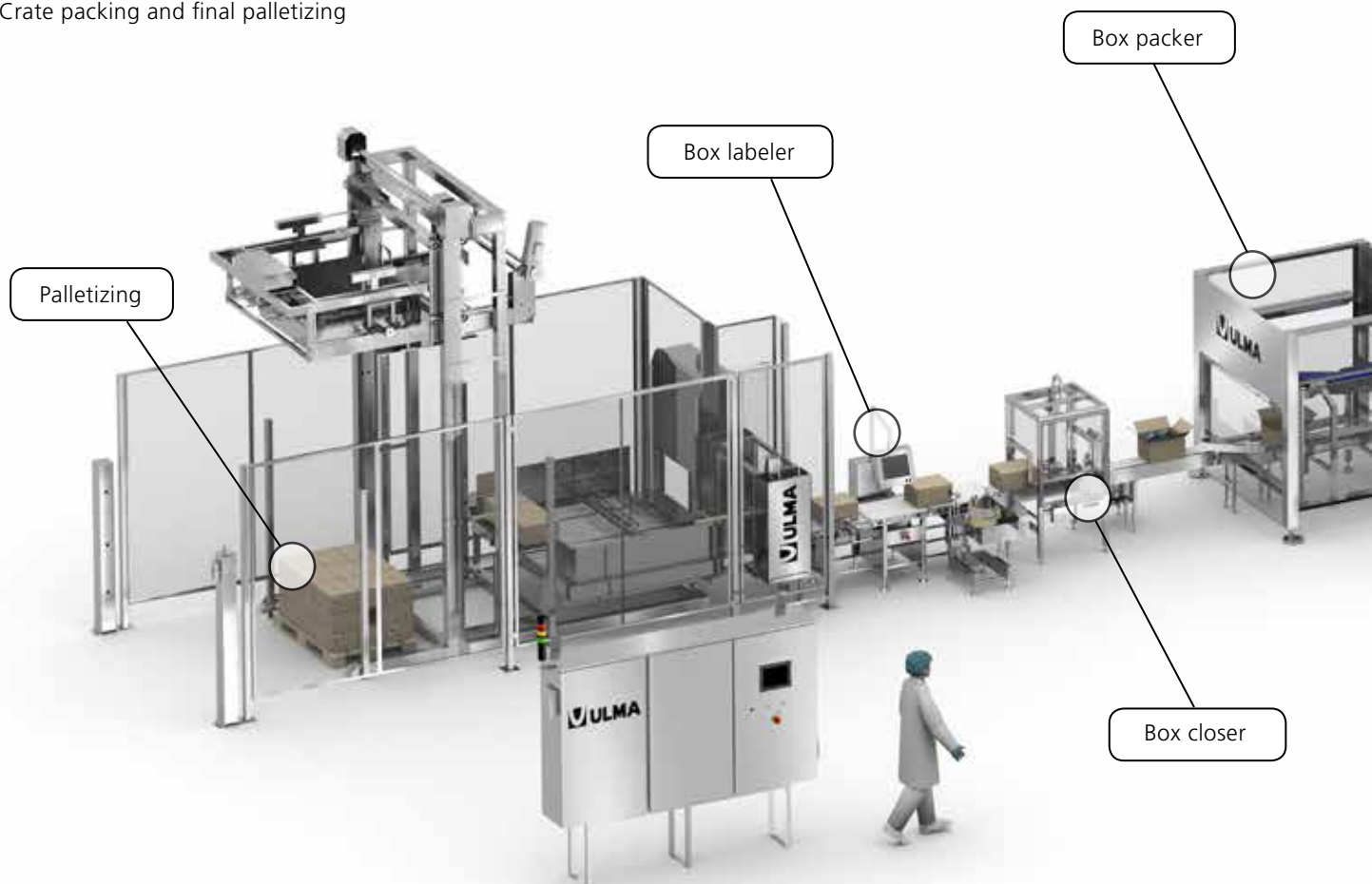
ULMA offers COMPLETE SOLUTIONS:

- Primary processes:
  - The handling
  - Alignment
  - Collating
  - Transport, loading or dosing of products
- Secondary processes:
  - Weighing
  - Labelling
  - Inspection and control
  - Crate packing and final palletizing

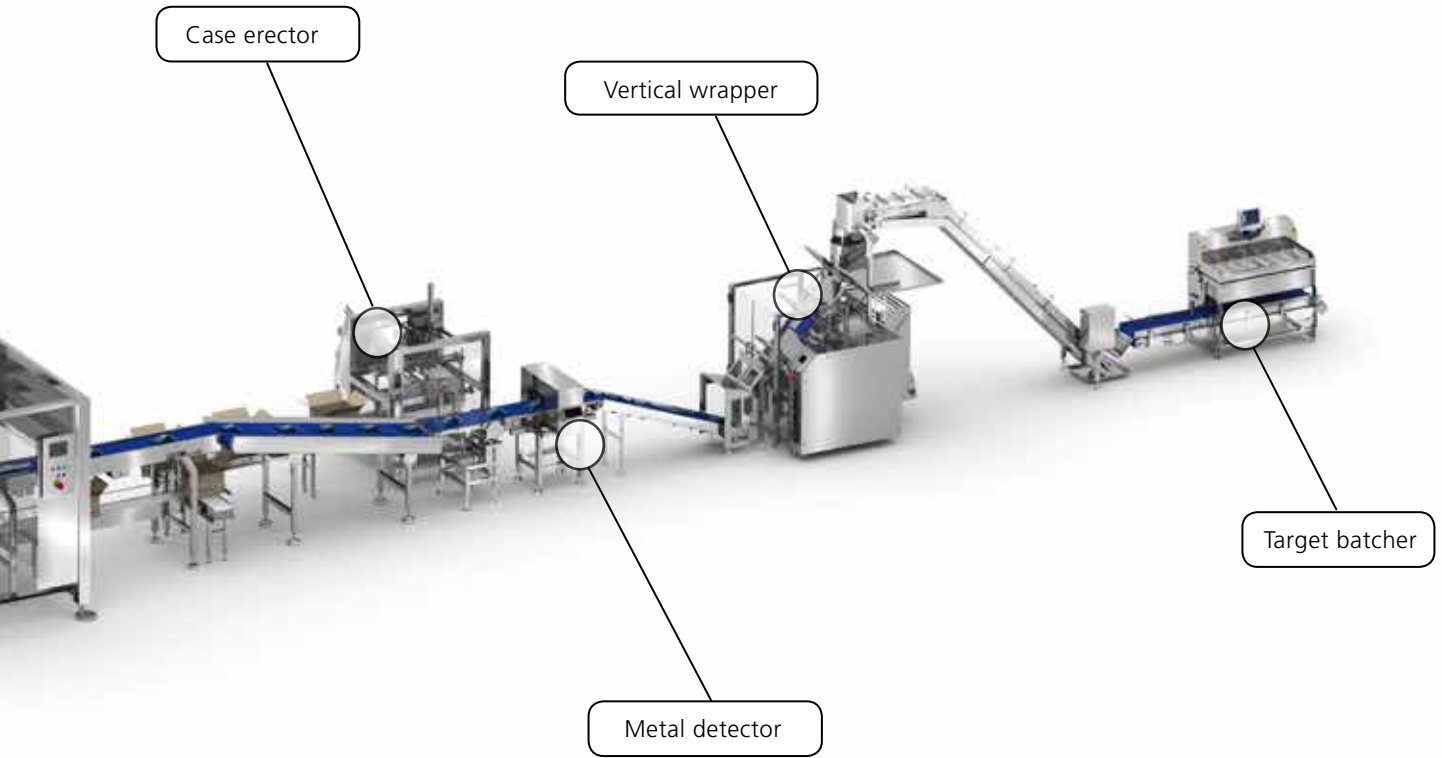
ULMA Packaging Automation has developed robotic automatic loading systems, (including artificial vision systems that allows classifying according to size, shape, colour...) automatic unloading and boxing.

All controlled via a Centralized Control System, offering the integration with the production software.

The offer is completed with internal logistics transport systems for empty and/or full crates as well as the denesting and transport of trays.





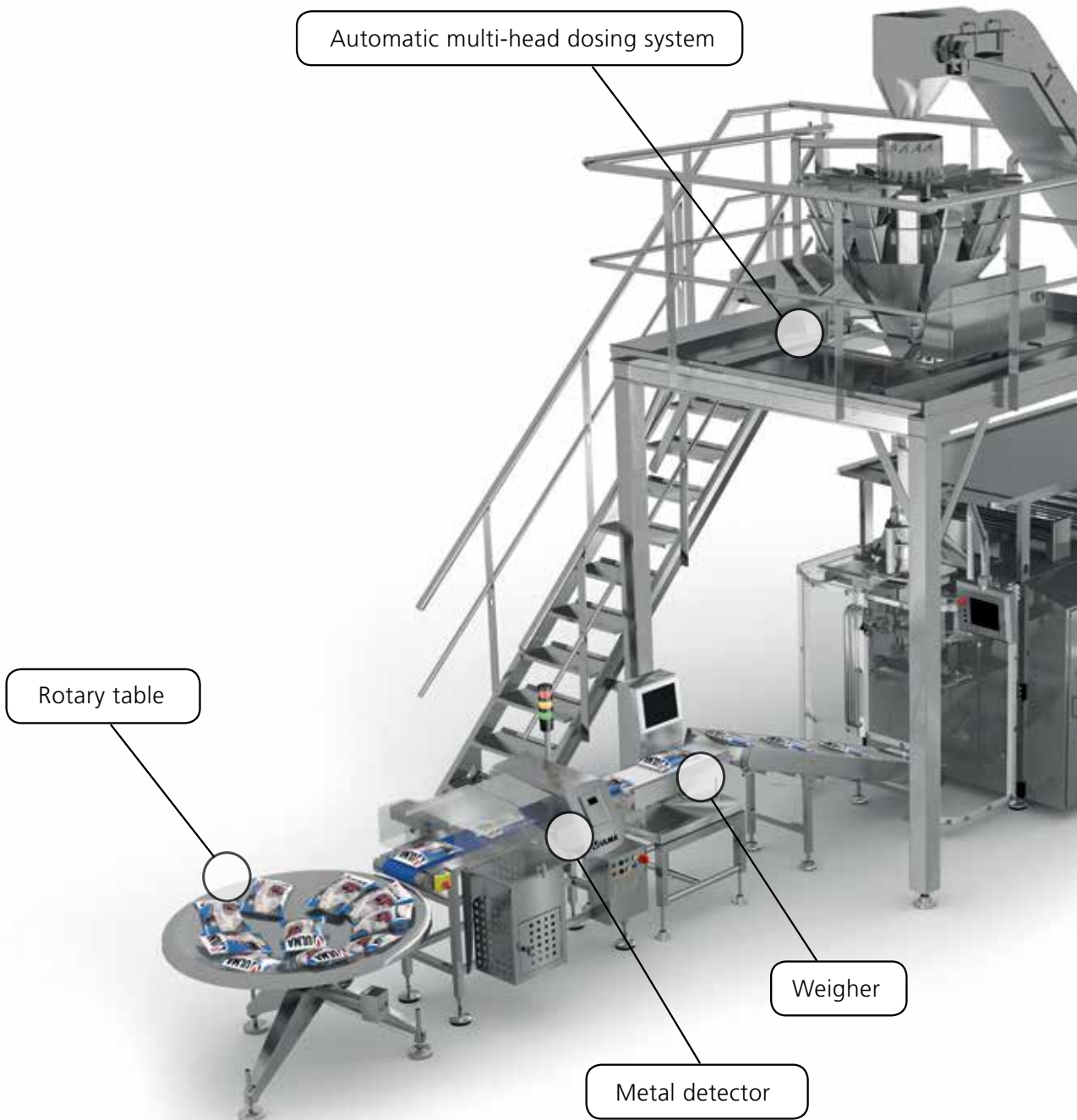
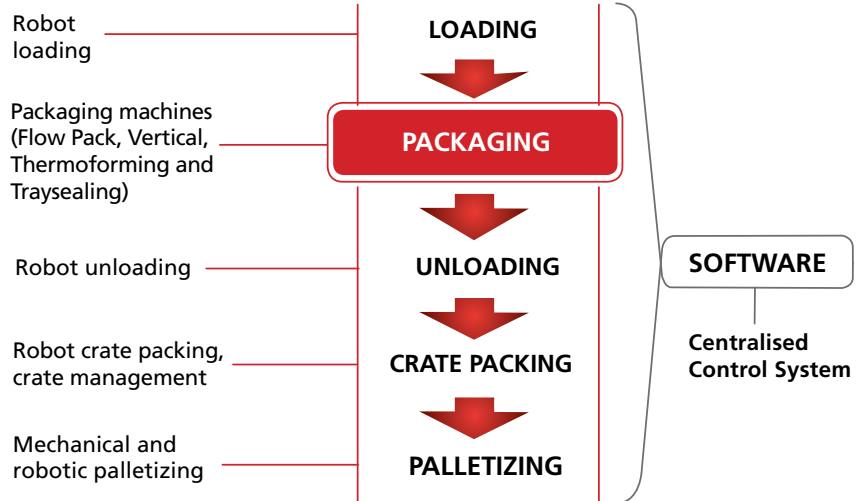


Complete line for frozen fish packaging

# Automation of packaging lines

## ULMA Packaging Automation

- ▶ A single point of contact for the client.
- ▶ Design adapted to the specific needs of each client.
- ▶ Complete integration of the automatic line.
- ▶ Optimisation of the mechanical and electronic functionality and performance of the global solution.
- ▶ Simple centralised handling of the complete line.





# Packaging types and technologies

## TRAYSEALING - TS

Sealing of preformed trays in automatic machines called traysealers. The trays can be foam or rigid.

### ▶ TS - MAP

Packs with protective atmosphere inside a barrier tray, to extend shelf-life of the product.

## THERMOFORMING - TF

Flexible pouches or rigid trays are formed by automatic machines called thermoformers. The internal cavity is formed, using a roll of base film, where the product is placed. The container is then sealed with a second film, with the option of vacuum or gas flushing.

### ▶ TF - VACUUM

Flexible film packs with partial or full vacuum, extending the shelf-life of the product and enhancing the appearance.

### ▶ TF - MAP

Rigid or flexible film packs are sealed with a protective atmosphere, to enhance colour and extend the shelf-life of the product.

### ▶ TF - SKIN

Vacuum packages where the film fully adapts to the shape of the product improving its aspect and conservation.

## FLOW PACK (HFFS) - FP

A single roll of film is folded and formed as a tube around the product. One longitudinal and two transversal seals are created to close the pack.

### ▶ FP - MAP

Packs enclosed with a protective atmosphere in a barrier film to extend the shelf-life of the product.

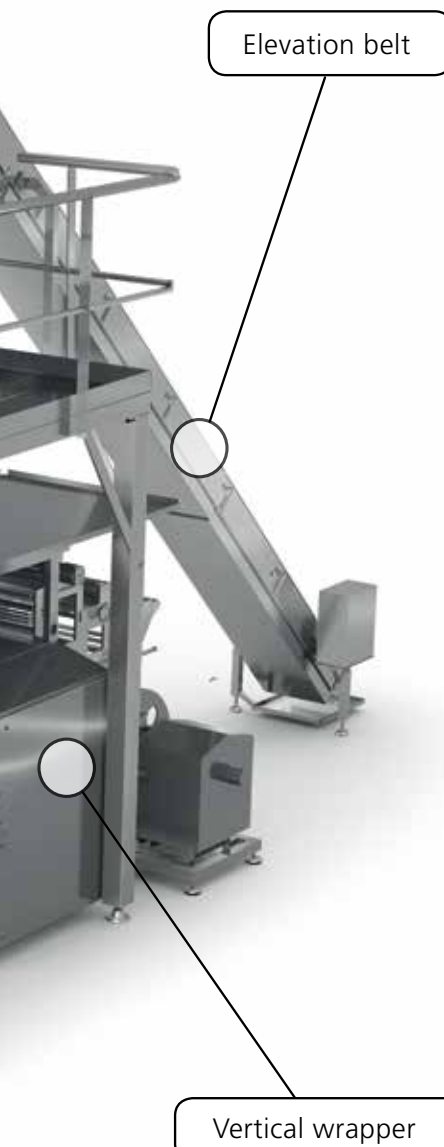
### ▶ FP - BDF® (Shrink Film Barrier)

A packaging technology that flow packs the product with a high barrier in a modified atmosphere (MAP). The result is a shrink pack presentation with enhanced product colour and extended shelf-life.

## VERTICAL (VFFS or Flow Pack Vertical) - VT

The pack is formed by vertical flow pack wrapping machines. A tube of film is formed around a product and sealed with one longitudinal and two transversal seals.

This packaging technology offers a completely hygienic pack, with high production capacities where the product is vertically charged.



Elevation belt

Vertical wrapper

® BDF is a registered trademark of Cryovac Inc., a subsidiary of Sealed Air Corporation.

# Service

## The ULMA advantage

At ULMA Packaging we are dedicated to work in close collaboration with our clients, which has become our key to customer satisfaction. Our Customer Focus through Service Excellence is the unique ULMA Advantage.



### Training

- Training conducted by a team of specialists.
- Our training includes both courses at ULMA and onsite installations.
- ULMA offers modern communication technology for holding long-distance training, including video conferencing.
- Training is conducted during start-up and full production. The training includes technical detail of how to effectively use, clean and maintain the machine, along with important safety training.



### Preventative Maintenance

Maintaining your packaging machines in good working conditions assures higher productivity and profitability, and a shorter recovery time of your investment.

ULMA offers customized preventive maintenance service including visits at regular intervals over the year by a trained technical ULMA specialist, who will thoroughly inspect the equipment, focusing on the major mechanisms, controls and safeties of the machine.



### Spare Parts

- Machine spare parts in more than 20 countries ensures availability in the least amount of time possible.
- Original spare parts, of the highest quality.
- Guaranteed delivery of standard spare parts to any part of the world within 24 hours via express service and 3-4 days via normal service and for non-standard parts.
- ULMA guarantees the availability of any spare part for at least 10 years after the machine's initial supply.



### Technical Service

- We have highly qualified technicians in all countries around the world, providing a locally based, fast service.
- We offer extra services for special promotional periods.
- A Broad Service Availability, offers access to resources and the ease of contact from anywhere in the world.
- Immediate telephonic technical support via technical experts specialised in each product line.
- Remote assistance via the Internet, enabling our programmers to remotely take control of your machine and diagnose problems.
- Option to purchase various spare part kits with the machine.
- Retrofitting of machines already installed to new formats or applications.



### ULMA Packaging

Thanks to an experience of more than 50 years, we are a worldwide reference in the design and manufacturing of high-tech packaging systems and equipment.

More than 50 years evolving, innovating, perfecting our technology and our services. An extensive network that is available to offer you solutions anywhere in the world, and to fully satisfy customers that place their trust in us.

For additional information, please visit our website:

[www.ulmapackaging.com](http://www.ulmapackaging.com)



ULMA Packaging, S. Coop.  
Bº Garibai, 28 - Apdo. 145  
20.560 OÑATI (Gipuzkoa) SPAIN  
Tel.: +34 - 943 73 92 00  
Fax: +34 - 943 78 08 19  
Web: [www.ulmapackaging.com](http://www.ulmapackaging.com)  
e-mail: [info@ulmapackaging.com](mailto:info@ulmapackaging.com)